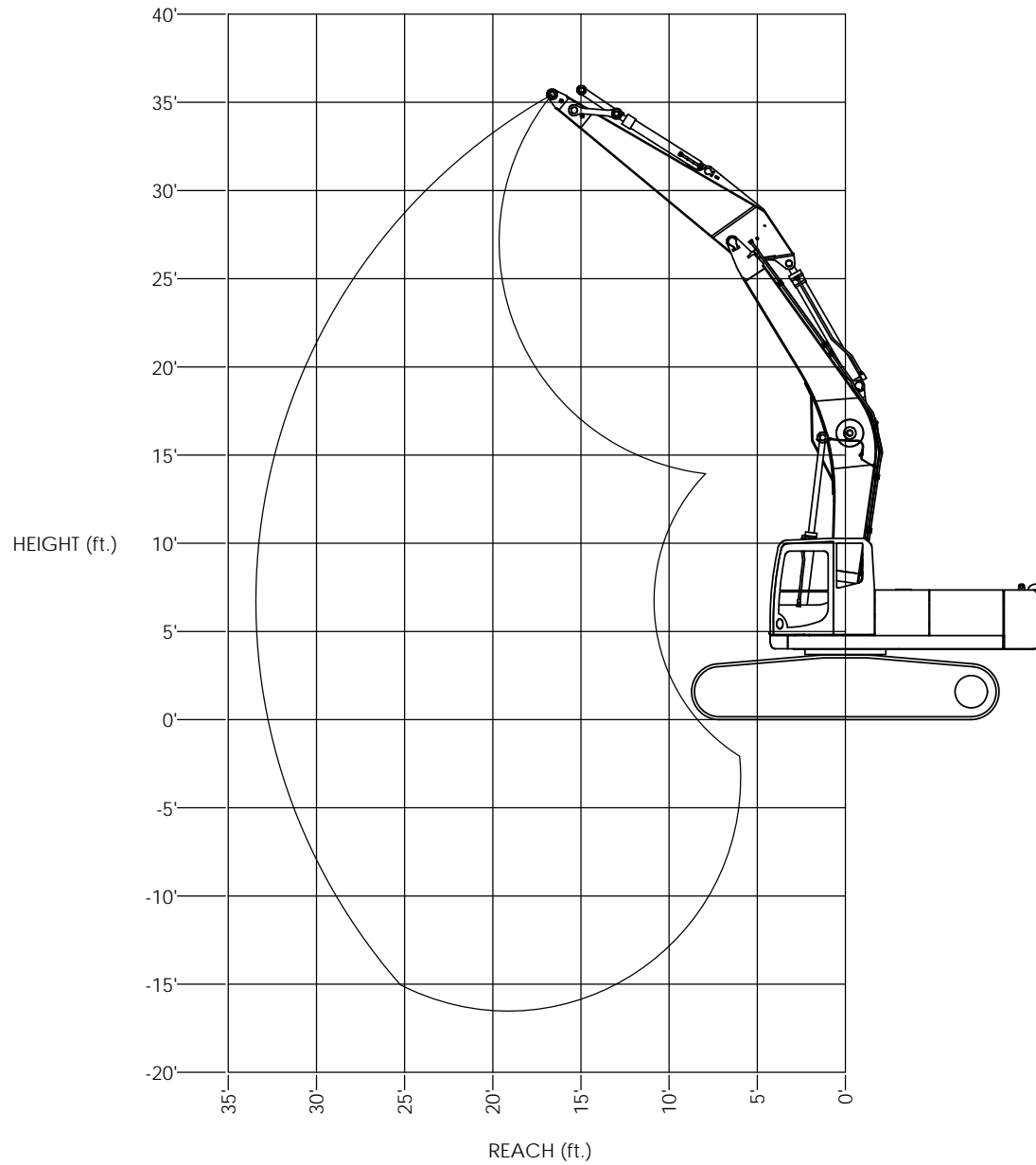


REVISIONS				
ZONE	REV.	DESCRIPTION	DATE	APPROVED



CONFIGURATION:
 21'-3" BOOM (WITH DUAL PIN POSITIONS FOR BOOM CYLINDERS)
 13'-2" ARM

MATERIAL:		
DESIGN	SCALE	DATE
APPROVED	BY	3/17/13
LEG. NAME		



4805 SCOOPY LANE NW
 CARROLL, OHIO 43112
 740-654-5304

The Cutting Edge of Customer Service

<small>PROFESSIONAL AND CONFIDENTIAL THE INFORMATION CONTAINED IN THIS DRAWING IS THE SOLE PROPERTY OF COMPANY WRENCH. ANY REPRODUCTION WITHOUT THE WRITTEN PERMISSION OF COMPANY WRENCH IS PROHIBITED.</small>	<small>UNLESS OTHERWISE SPECIFIED DIMENSIONS TO DIMENSIONS ARE AS FOLLOWS:</small>	TITLE:
	<small>DECIMAL: 80/125" FRACTIONAL: 1/16" ANGLE: 31</small>	<small>SCALE: 1:40</small>
<small>WEIGHT:</small>	<small>SIZE: D</small>	<small>DWG./PART NO.</small>

PC300-8/350-8/360-10 DUAL PIN BOOM - 13'-2" ARM

SHEET 1 OF 1